

CertainTeed

# Certa-Com™ Trenchless Conduit

Featuring the Certa-Lok™ Restrained Joint Locking System

## Applications

- Telecommunications duct
- Power and communications duct
- Rigid PVC (non-metallic) conduit

## Installation Methods

- Directional boring
- Plowing
- Open/continuous trench
- Pullback (existing conduits)

## Available Sizes

- 3" – 6" SCH40
- 8" SCH80



**Restrained-Joint PVC Pipe**  
Efficiency • Performance • Simplicity • Sustainability

## Key Advantages

- Easy and fast assembly
- Widely accepted and specified
- Immediate full strength joint (no solvent or fusion required)
- Segmented pipe lengths minimize traffic/pedestrian disruption
- Lowers overall costs, improves safety



Listed under UL 651  
"Schedule 40 and 80  
Rigid PVC Conduit  
and Fittings" for 3"-  
6" SCH40 products

Meets NEMA TC-2 Requirements

90°C Rated

**CertainTeed**  
SAINT-GOBAIN

# Technical Data

## Max. Tensile Pull<sup>1</sup>

Size	O.D.	T min.	Min. I.D.	Straight <sup>2</sup>	At 65' Bend Radius	Min. Bend Radius, ft.	Seal Pressure Rating, psi	Approx. Weight lbs./ft.	BOD <sup>3</sup>	Bell Length
3" SCH40	3.500	0.216	3.012	10,200	9,000	65	80	1.38	3.98	5.25
4" SCH40	4.500	0.237	3.965	12,700	9,500	65	80	2.09	5.02	5.25
5" SCH40	5.563	0.258	4.981	13,900	10,000	65	80	2.83	6.10	5.25
6" SCH40	6.625	0.280	5.993	16,700	12,000	65	80	3.67	7.24	5.25
8" SCH80	8.625	0.500	7.490	30,000	25,000	72	80	8.08	9.66	5.00

### NOTES:

All dimensions are in inches unless otherwise noted and are subject to normal manufacturing tolerances.

1. Based on UL witnessed testing in accordance with Sections 21 and 22 of UL Safety Standard 651- an appropriate safety factor must be applied during pullback; use instrumentation to ensure that this target pulling load is not exceeded.

2. Value shown is effective end load at failure developed as a result of pressure and/or pulling.

3. Borehole should be back-reamed to a minimum of 1.5 x Bell O.D.

## Packaging

Size	Part Number	Ft./Fast-Pak	Fast-Paks/Truckload	Ft./Truckload
3" SCH40	667206	920	28	25,760
4" SCH40	667237	580	28	16,240
5" SCH40	667275	460	24	11,040
6" SCH40	667299	400	20	8,000
8" SCH80	667077	280	16	4,480

NOTE: Standard overall length is 20'.

## Accessories

Size	Extra Splines		Extra O-Rings	
	Part Number	Cross Section	Part Number	Cross Section
3" SCH40	865152	.170" x .350" rect.	861604	0.139
4" SCH40	865169	.170" x .350" rect.	861239	0.210
5" SCH40	865176	.170" x .350" rect.	861246	0.210
6" SCH40	865343	.170" x .350" rect.	861253	0.210
8" SCH80	864865	0.313" square	862717	0.375

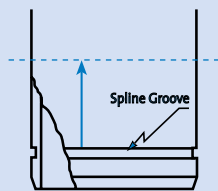
NOTE: Sufficient splines and O-rings are shipped with each Fast-Pak of pipe.



Spline Insertion Tool

Pipe Size	Part Number
3" - 6"	pending
8"	707971

## Installation Considerations



NOTE: Cut off pipe at least 2" behind spline groove before attaching pulling eye. Tighten pulling eye in accordance with manufacturer's recommendations. Do not overtighten.

### Puller-Head Installation

Trim spigot end and install pulling eye as described at left. It is recommended that a reinforcing sleeve be used over the conduit O.D.

### Borehole Preparation

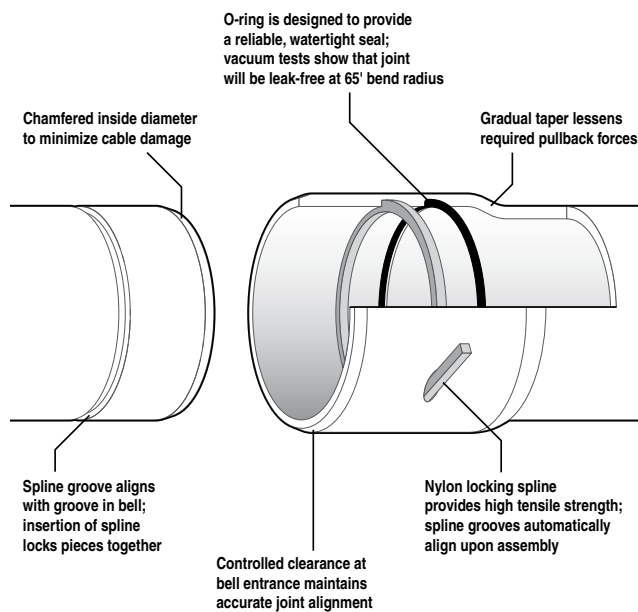
Borehole should be back-reamed to a minimum of 1.5 times the outside diameter of the pipe's bell end (BOD) to allow reasonable clearance.

Size	Bell O.D.
3"	3.98
4"	5.02
5"	6.10
6"	7.24
8"	9.66

### Conduit Pullback

Tensile pull numbers shown in product brochure must be derated to provide an adequate safety factor.

# Why Certa-Lok™ for Trenchless Conduit?



## Sustainability

- Made from PVC – completely recyclable while consuming less energy to produce than alternative pipe materials
- Supports trenchless construction methods with significantly lower carbon output in comparison to conventional open-cut methods

## Efficiency

- Fast, easy and simple to assemble and install
- Installed in segments with minimized work zone or community disturbances

## Performance

- Achieves immediate strength and integrity in all weather conditions
- Designed to accommodate the tensile rigors of trenchless construction

## Simplicity

- Does not require special training, equipment or tools
- Facilitates a safer work zone environment for employers and communities



**Restrained-Joint PVC Pipe**

Efficiency • Performance • Simplicity • Sustainability

## Certa-Com™ Joint Assembly Instructions

1. (3" – 6" SCH40) Remove spline from the bell end of the pipe. Remove the protective shipping insert from the inside of the bell. Check to make sure that O-ring gasket is properly seated in the rear bell groove.  
(8" SCH80) Locate separately shipped package containing O-ring gaskets and splines. Clean out O-ring groove in bell end with soap and water to remove contaminant. Install O-ring gasket in the rear bell groove. NOTE: In extreme cold weather conditions, splines should be kept relatively warm in the truckcab or elsewhere until just prior to use.
2. Rotate the bell end of the joint segment being assembled so that the spline entry hole is facing in an upward direction (to more easily facilitate spline insertion).
3. Clean the spigot end of the trailing pipe segment with soap and water and apply a light coating of PVC pipe lubricant. Insert the spigot end of the trailing pipe segment into the bell of the leading pipe segment and push until both spline grooves are aligned.
4. Insert spline into the entry hole in the bell until it is fully seated, leaving an inch or two protruding from the hole. Cut off excess spline length as desired.

**IMPORTANT:** Pipe joints should be assembled one at a time as pullback continues to reduce tensile load during pullback while minimizing overall pipe string-out (which can create traffic disruption).



Saves Time & Money Through...

- Efficiency
- Performance
- Simplicity
- Sustainability



Water Wells



Mining

Gravity Sewer



Water & Force Main



Agriculture

Electrical and Communication Conduit



ASK ABOUT ALL OF OUR OTHER CERTAINTEED® PRODUCTS AND SYSTEMS:

ROOFING • SIDING • TRIM • DECKING • RAILING • FENCE • FOUNDATIONS  
GYPSUM • CEILINGS • INSULATION • PIPE

www.certainteed.com http://blog.certainteed.com

CertainTeed Corporation  
P.O. Box 860  
Valley Forge, PA 19482

Telephone: 866-CT4-PIPE (866-284-7473)  
Fax: 610-254-5428

© 01/12 CertainTeed Corporation, Printed in the U.S.A.  
Code No.: 40-61-01G

