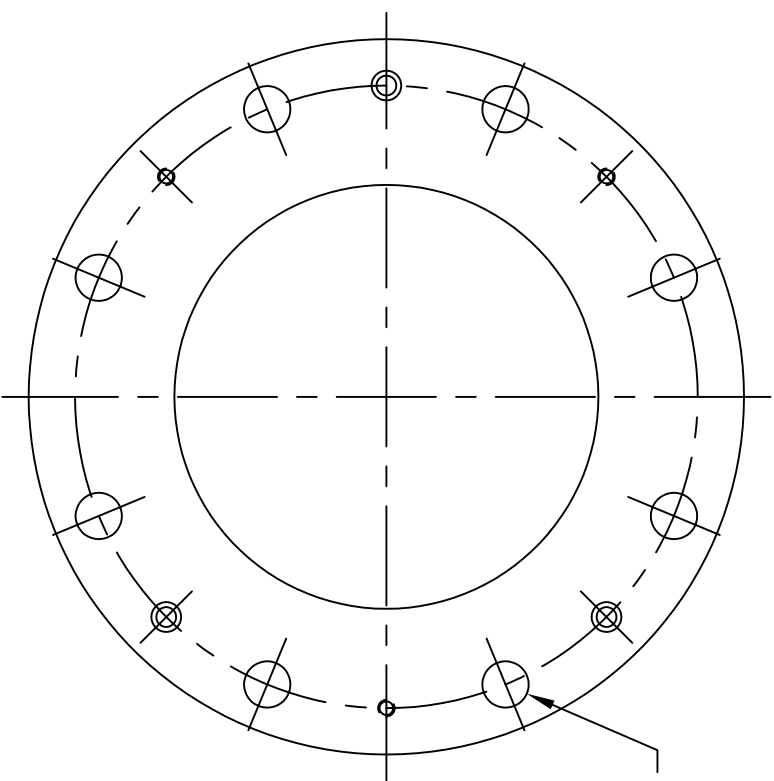
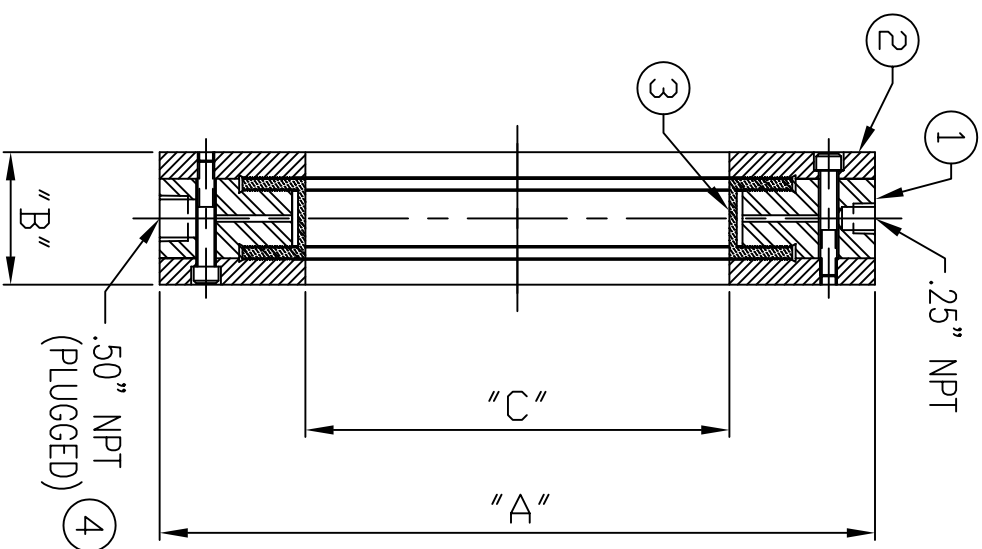


DISK No: _____

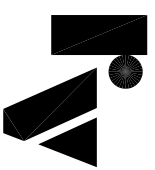


ANSI 125# FLANGE DRILLING
"D" HOLES ϕ "E" THRU
ON A ϕ "F" BOLT CIRCLE



ITEM	QTY	DESCRIPTION	MAT'L
1	1	SENSOR BODY	C/STEEL
2	2	FLANGE	C/STEEL
3	1	SENSOR SLEEVE	X
4	1	.50" NPT PIPE PLUG	STEEL

SIZE	"A"	"B"	"C"	"D"	"E"	"F"
1"	ϕ 4.25"	1.875"	ϕ 1.00"	4	ϕ 0.625"	ϕ 3.125"
1 1/4"	ϕ 4.625"	1.875"	ϕ 1.25"	4	ϕ 0.625"	ϕ 3.50"
1 1/2"	ϕ 5.00"	1.875"	ϕ 1.50"	4	ϕ 0.625"	ϕ 3.875"
2"	ϕ 6.00"	1.875"	ϕ 2.00"	4	ϕ 0.75"	ϕ 4.75"
2 1/2"	ϕ 7.00"	1.875"	ϕ 2.50"	4	ϕ 0.75"	ϕ 5.50"
3"	ϕ 7.50"	1.875"	ϕ 3.00"	4	ϕ 0.75"	ϕ 6.00"
4"	ϕ 9.00"	1.875"	ϕ 4.00"	8	ϕ 0.75"	ϕ 7.50"
5"	ϕ 10.00"	2.25"	ϕ 5.00"	8	ϕ 0.875"	ϕ 8.50"
6"	ϕ 11.00"	2.25"	ϕ 6.00"	8	ϕ 0.875"	ϕ 9.50"
8"	ϕ 13.50"	2.50"	ϕ 8.00"	8	ϕ 0.875"	ϕ 11.75"
10"	ϕ 16.00"	2.75"	ϕ 10.00"	12	ϕ 1.00"	ϕ 14.25"
12"	ϕ 19.00"	3.00"	ϕ 12.00"	12	ϕ 1.00"	ϕ 17.00"



RED VALVE COMPANY, INC.
CARNEGIE, PA. 15106-0548

CUSTOMER:
ORDER No:

RV PRODUCT: 1" - 12" SER 40	
RV PART No:	
DR. BY: RWH	DATE: 3/10/06
CAD SCALE: NTS	CHKD. BY: _____
PLOT SCALE: NTS	DATE: _____
	FILE NAME: RS
	DWG No: RVS-
	REV _____

SALES ORDER No:

PROPRIETARY NOTICE

THIS DOCUMENT CONTAINS PROPRIETARY INFORMATION OF RED VALVE COMPANY, INC. IT IS LOANED BY RED VALVE COMPANY, INC. SUBJECT TO THE CONDITIONS THAT IT AND THE INFORMATION EMBODIED THEREIN SHALL BE USED ONLY FOR RECORD AND REFERENCE PURPOSES. IT SHALL NOT BE USED OR CAUSED TO BE USED IN ANY WAY PREJUDICIAL TO THE INTERESTS OF RED VALVE CO. IT SHALL NOT BE REPRODUCED OR COPIED IN WHOLE OR PART, OR DISCLOSED TO ANYONE WITHOUT THE DIRECT WRITTEN PERMISSION OF RED VALVE COMPANY, INC., AND SHALL BE RETURNED UPON REQUEST.